

Spare parts list

**Slatted Floor Mixer PORCO**

for pigsties

**Mixer sword**

**Type: S-MS 70/100/130/160**

Year of construction: from 01/2002

Prices valid: from 06/2011

**RECK**

**Agrartechnik**

Reck-Technik GmbH & Co. KG

Reckstraße 1-5

88422 Betzenweiler

Telefon +49 73 74 18-82

Telefon +49 73 74 18-13

kontakt@reck-agrartechnik.de

www.reck-agrartechnik.de

No.	Designation	Quantity per machine	Spare part number
1	Mixer shaft 700 mm long	1	100.000.329
	Mixer shaft 1000 mm long		100.000.330
	Mixer shaft 1300 mm long		100.000.331
	Mixer shaft 1600 mm long		100.000.522
2	Cylinder srew DIN 912 - M5x10 - V2A	2	100.000.336
3	Disc DIN 9021 - A5,3 - V2A	2	100.000.335
4	Propeller blade type S-P 245x70 for motor 4,0 kW (5,5 HP)	1 Pair	100.000.332
	Propeller blade type S-P 280x70 for motor 5,0 kW (7,5 HP)		100.000.333
	Propeller blade type S-P 310x70 for motor 7,5 kW (10 HP)		100.000.334
5	Cotter pin M7, galvanized	1	100.000.341
6	Sleeve with rotating disc for motor 4 kW	1	100.000.339
	Sleeve with rotating disc for motor 5,5kW and 7,5 kW		100.000.340
7	Spring ring DIN 127 - A12, galvanized	2	100.000.202
8	Hexagon bolt DIN 933 - M12x30m, galvanized	2	100.000.382
9	Middle plain bearing (glued)	1 Pair	100.000.338
10	Tight blind rivet, high-grade steel/high-grade steel, Ø4, 8x8	2	100.000.288
11	Cylinder screw DIN 912 - M6x16 - V2A	1	100.000.383
12	Tight blind rivet, copper/high-grade steel, Ø3, 2x6,5	2	100.000.289
13	Special slide bearing, greasable, propeller side	1	100.000.337
14	Schnorr safety washer Ø6, galvanized	2	100.000.327
15	Cylinder screw DIN 912 - M6x25 - V2A	2	100.000.328
16	Screw-on plate with thread to weld on	1	100.000.349
17	Bushing to weld in, reamed	1	100.000.350
18	Grease nipple DIN 71412 - Ø6 - H1A, galvanized	1	100.000.207
19	Geka Quick-coupling 3/8"	1	100.000.313
20	Hexagon nut DIN 934 - M7, galvanized	1	100.000.343
21	Disc DIN 125 - 7, galvanized	1	100.000.342
22	Cotter pin M7, galvanized with hexagon nut and disc	1	100.000.950
23	Threaded pin DIN 915 - M10x25, galvanized 4,0 kW	2	100.000.344
	Threaded pin DIN 915 - M10x25, galvanized 5,5 and 7,5 kW		100.000.314
24	Hexagon nut DIN 936 - M10, galvanized 4,0 kW	2	100.000.345
	Hexagon nut DIN 936 - M10, galvanized 5,5 and 7,5 kW		100.000.199
25	Mixer sword PORCO pre-assembled without mixer shaft, without propeller, without sleeve, 700 mm long	1	100.000.375
	Mixer sword PORCO pre-assembled without mixer shaft, without propeller, without sleeve, 1000 mm long		100.000.376
	Mixer sword PORCO pre-assembled without mixer shaft, without propeller, without sleeve, 1300 mm long		100.000.377
	Mixer sword PORCO pre-assembled without mixer shaft, without propeller, without sleeve, 1600 mm long		100.000.520

Spare parts list

**Slatted Floor Mixer PORCO**

for pigsties

**Mixer sword**

**Type: S-MS 70/100/130/160**

Year of construction: from 01/2002

Prices valid: from 06/2011

**RECK**

*Agrartechnik*

Reck-Technik GmbH & Co. KG

Reckstraße 1-5

88422 Betzenweiler

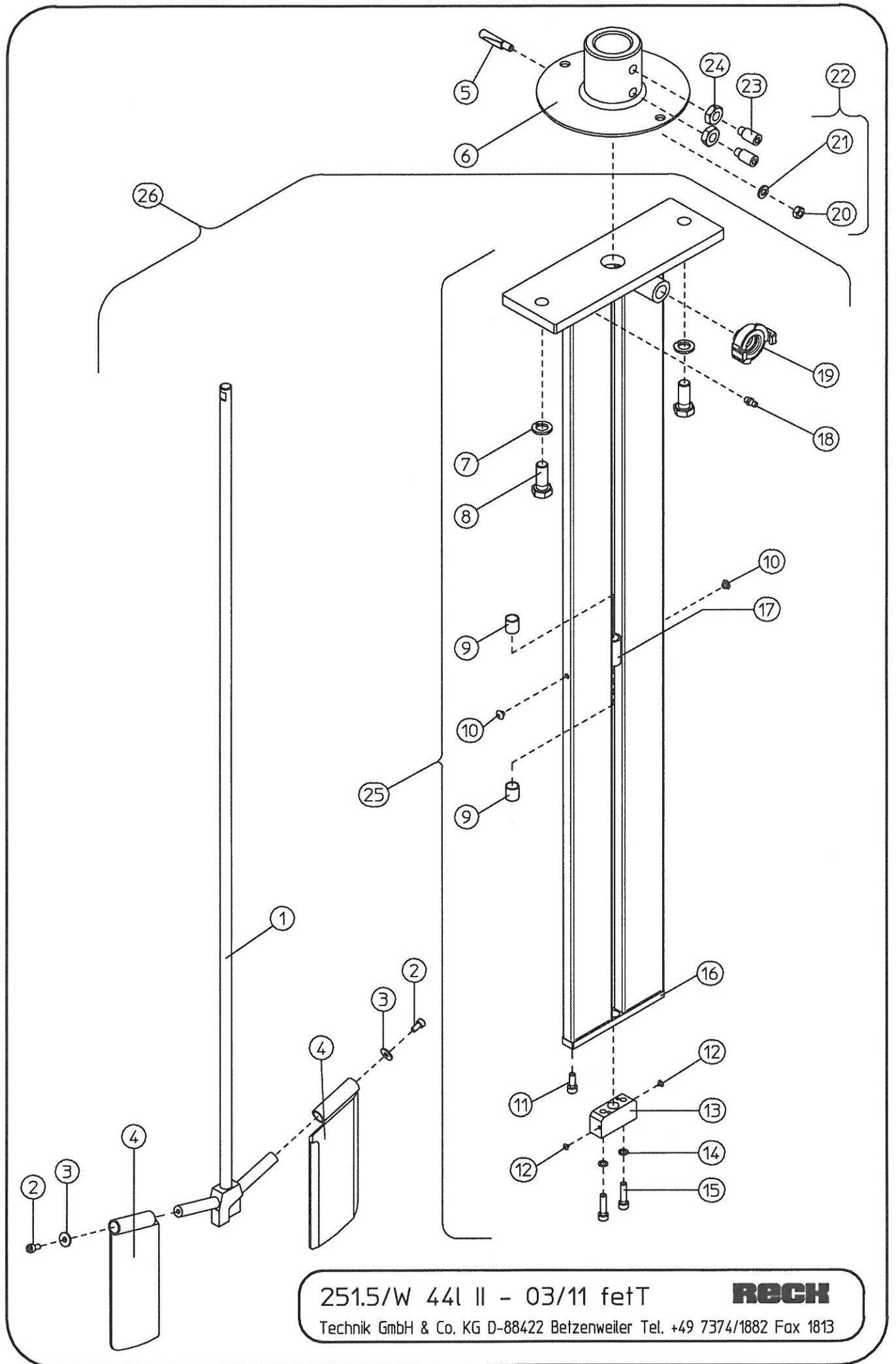
Telefon +49 73 74 18-82

Telefon +49 73 74 18-13

kontakt@reck-agrartechnik.de

www.reck-agrartechnik.de

No.	Designation	Quantity per machine	Spare part number
26	Mixer sword PORCO complete with mixer shaft and propeller, without sleeve, 700 mm long	1	100.000.346
	Mixer sword PORCO complete with mixer shaft and propeller, without sleeve, 1000 mm long		100.000.347
	Mixer sword PORCO complete with mixer shaft and propeller, without sleeve, 1300 mm long		100.000.348
	Mixer sword PORCO complete with mixer shaft and propeller, without sleeve, 1600 mm long		100.000.521
	Thread locking, high strength	1	100.000.384



251.5/W 44l II - 03/11 fetT

**RECK**

Technik GmbH & Co. KG D-88422 Betzenweiler Tel. +49 7374/1882 Fax 1813